

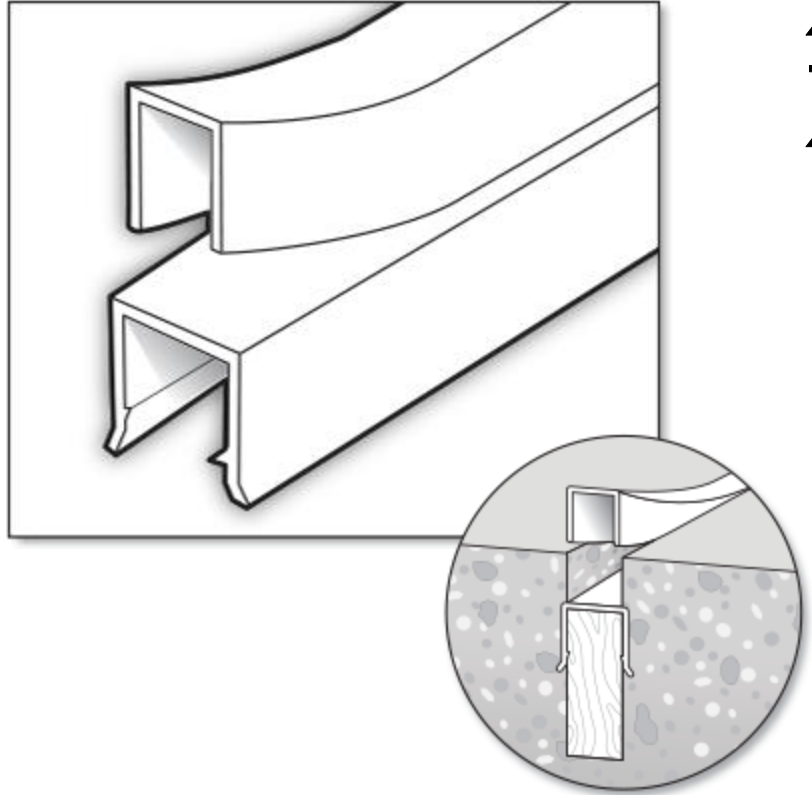
VoidCap

Polystyrene Expansion Cap

Description:

A polystyrene expansion cap with a removable top, **VoidCap** can be placed over all types of expansion joint. After the concrete is poured, the top of the **VoidCap** is level with the surface of the slab. After the surface of the concrete is finished, the top portion of the **VoidCap** can be removed leaving a void 1/2" deep. Any type of self-leveling caulk can be placed into the void sealing the joint from surface moisture.

New **PVC VoidCap** is also available. It is constructed of heavy-duty PVC with UV inhibitors that shield the **VoidCap** from the damaging ultra-violet (UV) rays from the sun.



VoidCap Specifications				
No.	Width	Length	Qty/Box	Ft./Box
21A-VC-1000	1"	10'	50 pcs.	500'
21A-VC-750	3/4"	10'	50 pcs.	500'
21A-VC-500	1/2"	10'	50 pcs.	500'
21A-VC-375	3/8"	10'	50 pcs.	500'
Heavy-Duty PVC VoidCap Specifications				
21A-PVC50	1/2"	10'	50 pcs.	500'